

# HYPRO® SPRAY PARTS

## DUO REACT™ TWIN VALVE NOZZLE BODY

SIMPLE AND ECONOMICAL NOZZLE SWITCHING FROM THE CAB



### FEATURES & BENEFITS

- A single nozzle holder and a rotatable 4-way turret in one compact unit
  - Twin valves allow the operator to select either or both outlets from the cab using a suitable controller
  - Fail safe valve design; air to open, stainless steel springs to close
- Eliminates the need for twin spraylines or 'back to back' configurations
- Compact and lightweight design for easy integration into many spray boom designs
- Available with hinged clamps; 1/2", 3/4", 1", 20mm and 25mm
- Fast-acting pneumatically or electro-pneumatically actuated valves
  - The electro-pneumatic version can be used in place of a section control valve to control up to 7 pneumatic slaves

### PRACTICAL APPLICATIONS

- Saves time switching between nozzles in the yard or on the move
- Makes an alternative nozzle readily available and easily selected
  - Switch between standard and drift-reducing nozzles as spraying conditions change
  - Comply with label requirements by switching to LERAP 3 star rated nozzles to eliminate water course buffer zones
  - Switch nozzles in the event of a blockage
- Provide a permanent home for a liquid fertiliser dribble bar
- Utilise both outlets for variable rates and new nozzle combinations
  - Fit different size liquid fertiliser nozzles and operate each singly and both together to extend the rate range available
  - Use 2 nozzles together with complementary spray quality or inclines to achieve novel spraying results



Choosing the right nozzle is critical for achieving optimum agrochemical application and work rates. Duo React™ is a simple way to quickly switch between tried and trusted nozzles or select new combinations to increase spraying flexibility.

Duo React™ nozzle bodies offer excellent value for money, making it possible to fit them as the standard specification on a sprayer.

# HYPRO® SPRAY PARTS

## DUO REACT™ TWIN VALVE NOZZLE BODY

### SPECIFICATIONS & DIMENSIONS

- Male bayonet for fitting EF3 type caps (Hypro®, Teejet®, Arag®, Geoline®, Agrotop®, Lechler®)
- Each outlet has a flow capacity of 6.0 lpm (equivalent to size 15 nozzle) with negligible pressure drop (0.35 bar for 6.4 l/min flow)
- Pneumatic actuation of valves at 3-7 bar. Normally closed up to 10 bar liquid pressure
- 3/8" (9.53 mm) feed spigot to fluid pipe
- 0-50°C operating temperature (-40 to 80°C dry storage)
- Waterproof to BSEN60529 (IP65). Tolerant to typical UV, dust, vibration and impact likely to be encountered in an agricultural spraying environment

#### Duo React™ - pneumatic only option

- Response time 0.1 second to open and close
- Dry weight 211g
- 4 mm push fit air inlet and outlet connectors



Clamp size	Description	Part Number
1/2"	DUO REACT PNEUMATIC 1/2 VITON	4214-1502V
3/4"	DUO REACT PNEUMATIC 3/4 VITON	4214-1503V
1"	DUO REACT PNEUMATIC 1 VITON	4214-1504V
20 mm	DUO REACT PNEUMATIC 20 VITON	4214-1507V
25 mm	DUO REACT PNEUMATIC 25 VITON	4214-1508V

#### Duo React™ - electro-pneumatic option

- For use as a section control valve, actuating up to 7 pneumatic slaves
- Flow to each nozzle individually controlled by 12 VDC signal (normally closed)
- Tyco AMP superseal 4-way electrical connector
- Low current draw (just 0.25 amps for each solenoid)
- Surge protected, range tolerated 9-16 VDC
- Response time controlling 7 pneumatic slaves; 0.1 seconds to open, 0.3 seconds to close
- Dry weight 343 g
- Push-fit air connectors; 6 mm inlet, 4 mm outlet



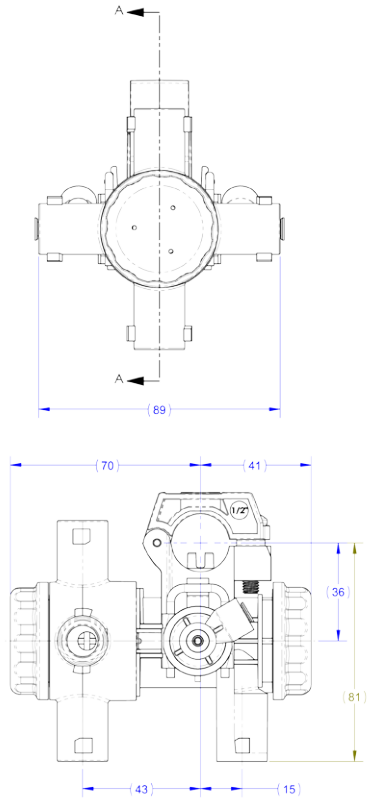
Clamp size	Description	Part Number
1/2"	DUO REACT ELEC PNEUM 1/2 VITON	4214-2502V
3/4"	DUO REACT ELEC PNEUM 3/4 VITON	4214-2503V
1"	DUO REACT ELEC PNEUM 1 VITON	4214-2504V
20 mm	DUO REACT ELEC PNEUM 20 VITON	4214-2507V
25 mm	DUO REACT ELEC PNEUM 25 VITON	4214-2508V

#### Spares and tools

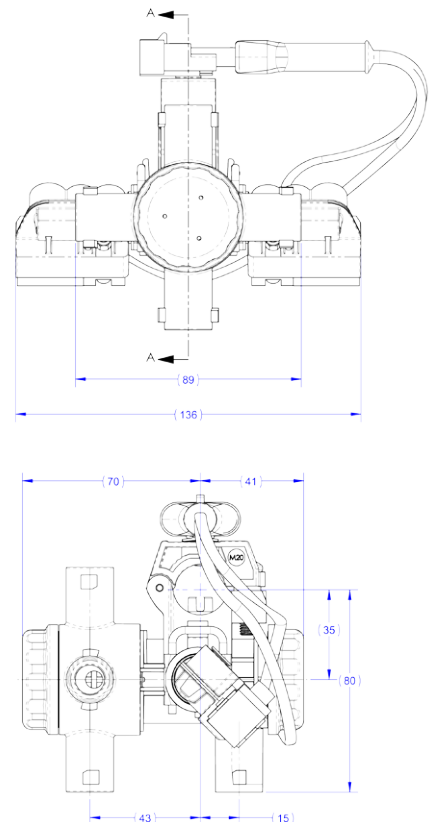
- A spares kit including a piston sub-assembly and o-rings is available to extend life

Description	Part Number
O-RING AND PISTON SUB ASSEMBLY KIT	3430-0840V
CAP REMOVAL SERVICE WRENCH	3021-0006

#### Duo React™ - pneumatic



#### Duo React™ - electro-pneumatic



HYPRO EU LIMITED

STATION ROAD, LONGSTANTON, CAMBRIDGE, CB24 3DS UNITED KINGDOM  
 TEL: +44 (0)1954 260097 FAX: +44 (0)1954 260245 EMAIL: INFO@HYPRO-EU.COM WWW.HYPRO-EU.COM

PENTAIR TRADEMARKS AND LOGOS ARE OWNED BY PENTAIR LTD. ALL OTHER BRAND OR PRODUCT NAMES ARE TRADEMARKS OR REGISTERED MARKS OF THEIR OWNERS.  
 BECAUSE WE ARE CONTINUOUSLY IMPROVING OUR PRODUCTS AND SERVICES, PENTAIR RESERVES THE RIGHT TO CHANGE SPECIFICATIONS WITHOUT PRIOR NOTICE.

© 2014 PENTAIR LTD. ALL RIGHTS RESERVED.

all dimensions in mm