

HYPRO[®] SPRAY PARTS

PROFLO[™] NOZZLE BODIES

1,3 AND 5-WAY HOLDERS IN A RANGE OF CLAMP SIZES



FEATURES & BENEFITS

- A choice of turret styles that can accommodate one, three or five nozzles on a holder
- Consistent and reliable turret indexing mechanism with positive shut-off
- Diaphragm Check Valves rated at 0.55 bar are fitted as standard. A range of other spring pressure DCVs are also available
- Manufactured in Polyacetal and Nylon for chemical resistance, performance and durability. Available with EPDM or Viton[®] seals
- Hinged clamps to fit all common pipe sizes: 1/2, 3/4, 1 inch, 20 and 25 mm
- ProStop[™] air-actuated nozzle valve offered as an alternative to the DCV. Can be supplied pre-fitted and leak tested on all ProFlo[™] nozzle bodies
- Dry boom options also available



Multi-holders allow nozzles to be quickly and easily switched for maximum choice and spraying flexibility.



The ProStop[™] air-actuated nozzle on/off valve can be specified in place of a DCV on any ProFlo[™] nozzle holder.

HYPRO® SPRAY PARTS

PROFLO™ NOZZLE BODIES

SINGLE NOZZLE BODIES - HINGED CLAMP, EF3 BAYONET

Clamp size	EPDM (Red)	Viton (Green)
1/2"	4221N-B122	4221N-B122V
3/4"	4221N-B123	4221N-B123V
1"	4221N-B124	4221N-B124V
20 mm	4221N-B127	4221N-B127V
25 mm	4221N-B128	4221N-B128V

For version with ProStop in place of DCV add PS to part number



3-WAY NOZZLE BODIES - HINGED CLAMP, EF3 BAYONET

Clamp size	EPDM (Red)	Viton (Green)
1/2"	4223N-B322	4223N-B322V
3/4"	4223N-B323	4223N-B323V
1"	4223N-B324	4223N-B324V
20 mm	4223N-B327	4223N-B327V
25 mm	4223N-B328	4223N-B328V

For version with ProStop in place of DCV add PS to part number

Internal Seal Kit 3430-0754 and 3430-0754V

Mounting Kit 3430-0755 and 3430-0755V



TRIJET NOZZLE BODIES - SPLIT OR HINGED CLAMP, EF3 BAYONET

Clamp size	Hinged Clamp (EPDM)	Split Clamp (EPDM)
1/2"	n/a	4222N-B322
3/4"	4222N-B323C	4222N-B323
1"	4222N-B324C	4222N-B324

For version with ProStop in place of DCV add PS to part number



5-WAY NOZZLE BODIES - HINGED CLAMP, EF3 BAYONET

Clamp size	EPDM (Red)	Viton (Green)
1/2"	4223N-B522	4223N-B522V
3/4"	4223N-B523	4223N-B523V
1"	4223N-B524	4223N-B524V
20 mm	4223N-B527	4223N-B527V
25 mm	4223N-B528	4223N-B527V

For version with ProStop in place of DCV add PS to part number

Internal Seal Kit 3430-0754 and 3430-0754V

Mounting Kit 3430-0755 and 3430-0755V



OTHER EF3 TYPE NOZZLE BODIES

Clamp size	DCV type	Part Number
Threaded 1/4" NPT (M)	EPDM (Red) 8 PSI	4240N-B020
Threaded 1/4" NPT (M)	Viton (Green) 8 PSI	4240N-B020V
1/2"	None	4201N-B102
3/4"	None	4201N-B103
1"	None	4201N-B104



HYPRO® SPRAY PARTS

PROFLO™ NOZZLE BODIES

PROSTOP™ AIR-ACTUATED ON/OFF NOZZLE VALVE

A compact and durable pneumatic nozzle valve that fits in place of the DCV on ProFlo™ nozzle holders offering rapid on/off nozzle control.

Durable and reliable, 100% tested:

- Manufactured from polypropylene with no diaphragm to wear. Double lip seals eliminate the risk of leakage
- Piston manufactured from PVDF with Viton® seals to withstand chemical attack. Piston assembly is a replaceable part to extend unit life further

High performance:

- Rapid response taking just 0.5 seconds to open.
- 1– 8 bar liquid pressure range. Optimum 2.5 to 5 bar
- Fail safe 'air to open' and spring closure
- Specified to operate at up to 10 bar liquid pressure and 5-45 °C

Compact and easy to fit:

- 50 mm long. 3/4" BSP female fitting. Swivel push-fit 6 mm air inlet moves independently of valve body for straightforward connection to air line



PS3/4F-PN

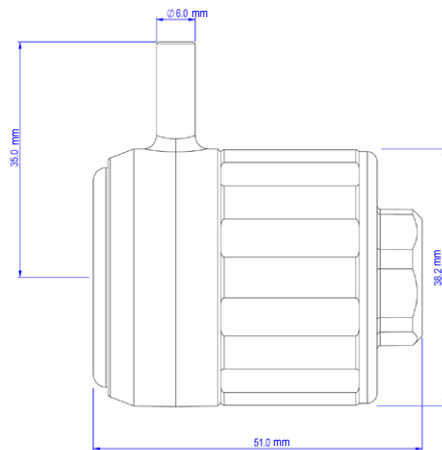
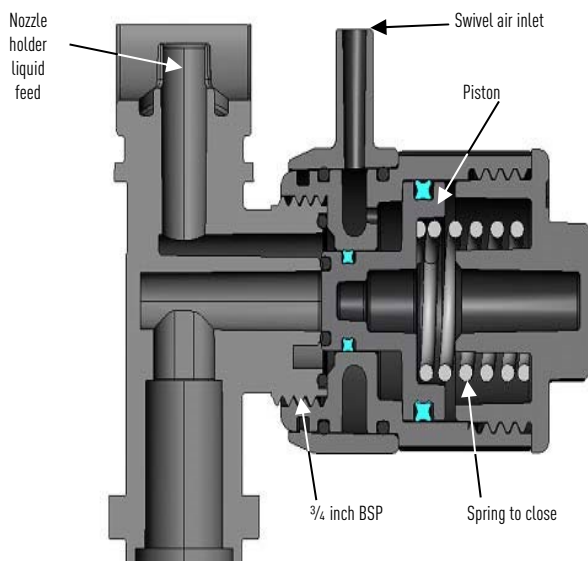


ProStop™ can be supplied ready fitted and leak tested with any Hypro nozzle body

PROSTOP™ AND FITTING ACCESSORY PART NUMBERS:

Size	Part Number	Description
3/4" BSP	PS3/4F-PN	ProStop pneumatic nozzle control valve
6 mm	03PM0306E	Equal push fit elbow
6 mm	03PM0206E	Equal push fit tee
6mm	03PE06040100ME	LLDPE tube 100 m coil

PROSTOP™ VALVE CROSS SECTION AND DIMENSIONS:



HYPRO® SPRAY PARTS

PROFLO™ NOZZLE BODIES

REPLACEMENT DIAPHRAGM CHECK VALVES:

Seal type	Colour	DCV spring pressure	Part Number
EPDM	Orange	0.28 bar	4200-0010
EPDM	Black	0.55 bar	4200-0020
EPDM	White	0.83 bar	4200-0030
EPDM	Grey	1.38 bar	4200-0040
EPDM	Blue	1.72 bar	4200-0050
Viton	Orange	0.28 bar	4200-0010V
Viton	Black	0.55 bar	4200-0020V
Viton	White	0.83 bar	4200-0030V
Viton	Grey	1.38 bar	4200-0040V
Viton	Blue	1.72 bar	4200-0050V



REPLACEMENT DIAPHRAGM CHECK VALVE SEALS:

Seal type	Colour	Part Number
EPDM	Black	4200-0004E
Viton	Green	4200-0004V



REPLACEMENT PROFLO™ STEM SEALS:

Stem seal type	Colour	Part Number
EPDM	Black	1723-0142
Viton	Green	1721-0220

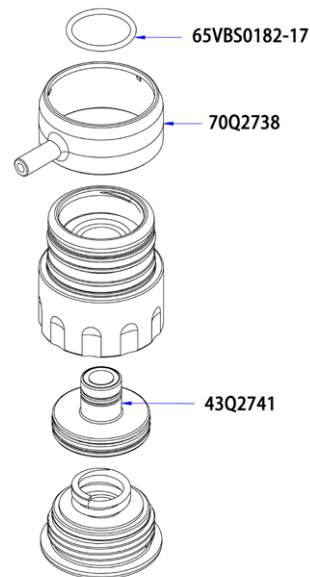


PROSTOP™ REPLACEMENT COMPONENTS:

Part Number	Item
65VBS0182-17	O Ring Viton
70Q2738	ProStop valve banjo 6mm
43Q2741	ProStop replacement piston sub-assembly
3010-WR0008	Chuck wrench (8mm sq capacity)
3010-EX0004	Screw extractor no. 4



The Piston sub-assembly can easily be removed using 3010-WR0008 fitted with 3010-EX0004.



HYPRO EU LIMITED

STATION ROAD, LONGSTANTON, CAMBRIDGE, CB24 3DS UNITED KINGDOM

TEL: +44 (0)1954 260097 FAX: +44 (0)1954 260245 EMAIL: INFO@HYPRO-EU.COM WWW.HYPRO-EU.COM

PENTAIR TRADEMARKS AND LOGOS ARE OWNED BY PENTAIR LTD. ALL OTHER BRAND OR PRODUCT NAMES ARE TRADEMARKS OR REGISTERED MARKS OF THEIR OWNERS.

BECAUSE WE ARE CONTINUOUSLY IMPROVING OUR PRODUCTS AND SERVICES, PENTAIR RESERVES THE RIGHT TO CHANGE SPECIFICATIONS WITHOUT PRIOR NOTICE.

03/13 © 2012 PENTAIR, INC. ALL RIGHTS RESERVED.